



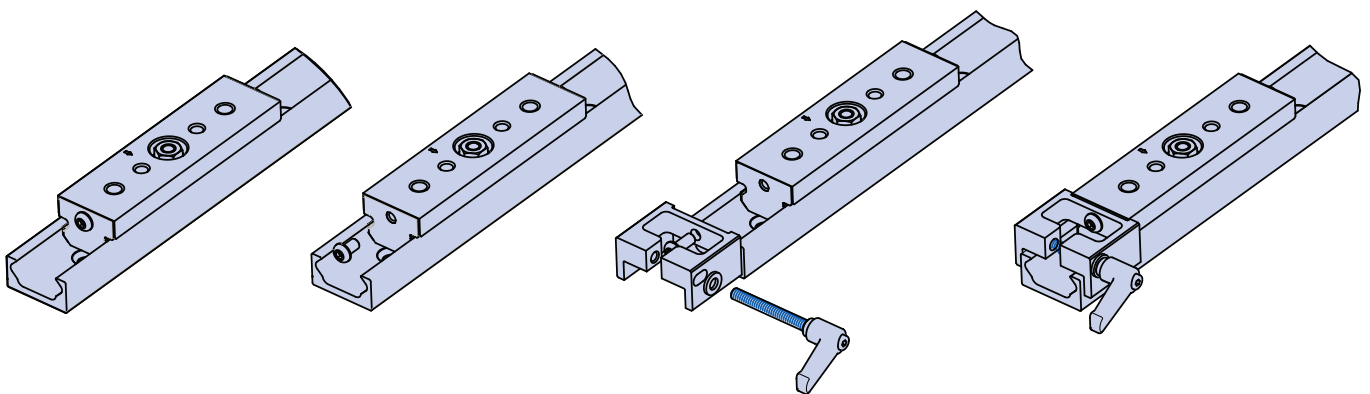
This data sheet interacts with  
**UtiliTrak®  
Linear Guide**  
catalogue

# HepcoMotion®

## Linear Guide – Carriage Brake System

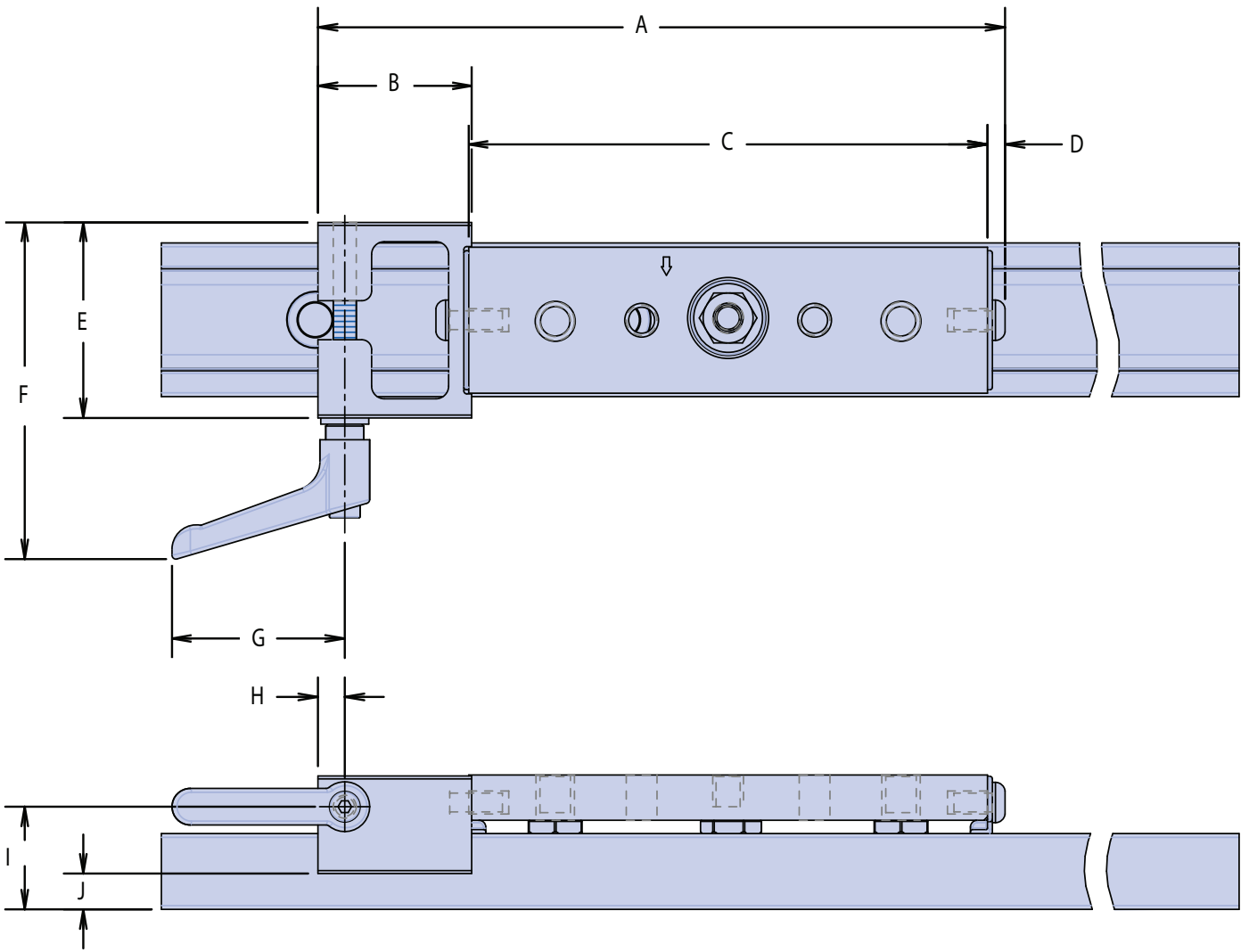
### Key features:

- Four available designs for UtiliTrak®  
Sizes 0, 1, 2, & 3
- Brake system allows steel (SW Series) and aluminum (PW Series) UtiliTrak®, both Vee and Open channel sections, to be manually locked at any user-selected position on the UtiliTrak® rail
- A compact brake system ideal for applications where handle arm access space is limited
- Easily retrofitted by end-user to existing UtiliTrak® systems or factory pre-assembled on new systems
- An additional brake assembly can be installed at the opposite end of the wheel plate for added braking strength
- The brake block assembly fits over the existing lubricator end caps
- Simple two-component assembly (brake block and handle)
- The brake block is fabricated from aluminum and hard anodized for corrosion resistance, abrasion resistance, good gripping/braking action, and long life
- Brake system components are positioned below the carriage's payload mounting surface to minimize interference
- Angular position of the handle arm can be adjusted to any position without affecting the brake engagement status or level of braking force.



The brake block mounts to either end of the UtiliTrak® carriage and has a pair of brake arms that straddle the UtiliTrak® rail. The handle is mounted on one side of the brake block. The brake system is engaged by turning the handle clockwise, which causes the brake block to clamp to the rail. When the carriage needs to be moved again, the brake system can be disengaged by simply turning the handle counterclockwise until the brake arms no longer contact the rail.

# Data and Dimensions



Size	Part Number	A	B	C	D	E	F	G	H	I	J
0	<b>UT0BRKCLMPK</b>	106.17	30.00	74.02	2.92	26.47	63.20	44.96	6.99	15.42	0.81
1	<b>UT1BRKCLMPK</b>	144.24	35.00	106.53	3.47	36.80	73.54	44.96	6.99	18.70	4.61
2	<b>UT2BRKCLMPK</b>	178.82	40.01	135.00	4.57	50.90	87.63	44.96	6.99	26.73	9.33
3	<b>UT3BRKCLMPK</b>	250.90	56.01	189.99	5.66	66.47	113.44	62.99	11.00	37.78	17.92

(Values are in millimeters)

**HepcoMotion®**  
 Head Office: Lower Moor Business Park,  
 Tiverton Way, Tiverton, Devon, England EX16 6TG  
**Tel: +44 (0)1884 257000**  
**Fax: +44 (0)1884 243500**  
**E-mail: sales@hepcotion.com**