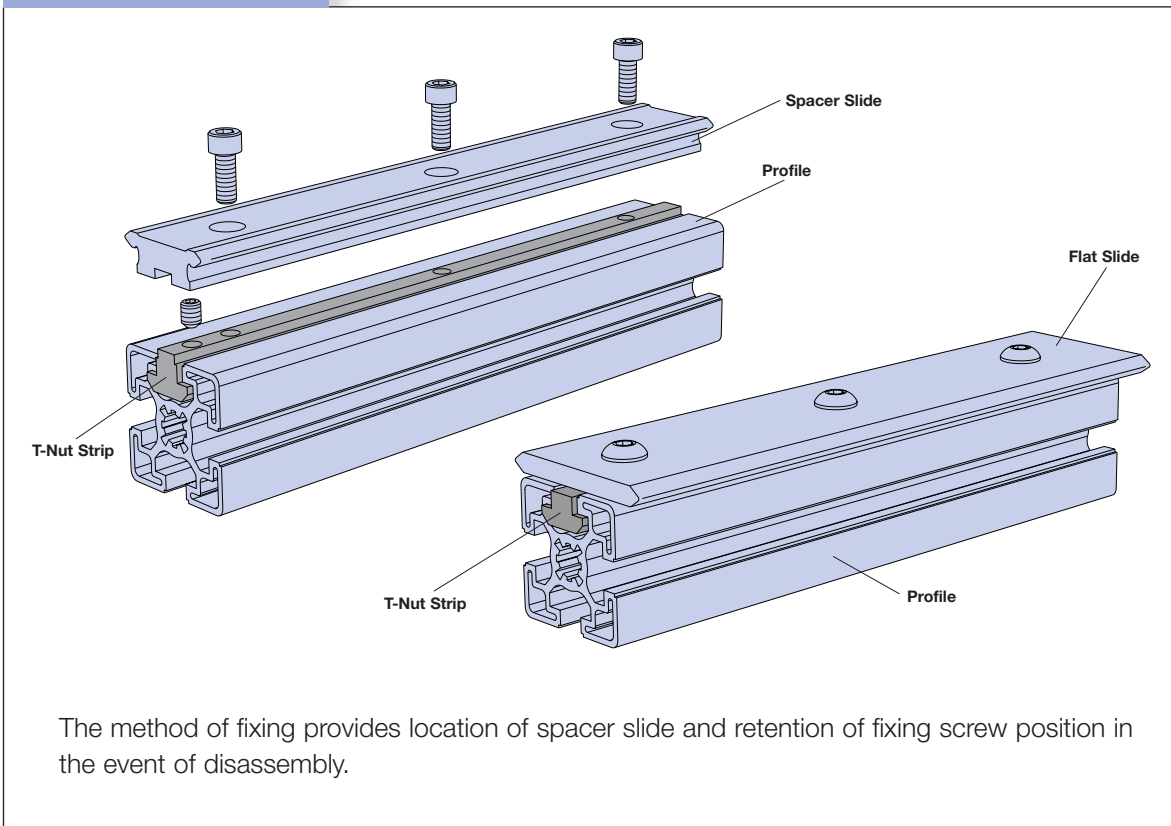


PROFILES WITH LINEAR GUIDES

METHOD OF ATTACHING SLIDES TO MCS PROFILES



The method of fixing provides location of spacer slide and retention of fixing screw position in the event of disassembly.

SELECTION PROCEDURE



The information in this catalogue facilitates initial selection of the slide system and provides details of compatibility with MCS profiles. For comprehensive information, full load/life details and some ordering references, it will be necessary to also refer to the GV3 and SL2 catalogues.

Stage 1

Select the type of carriage required from the various options illustrated on pages 64 and 65. Note the Slide types, Slide precision grades, Bearing types and Lubrication Devices generally available for each carriage type.



Stage 2

(Spacer Slides Ref. pages 66 & 67; Flat slides Ref. pages 68 & 69): Select the MCS profile required and choose a compatible slide taking account of the slide and bearing type for the chosen carriage, system dimensions, load requirements and specific availability of various options.

Stage 3

Refer to ordering details on page 70

CARRIAGE TYPES

STANDARD CARRIAGE

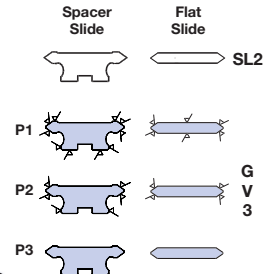
The popular choice for general applications

Cap Seal (optional)
Lubricates system & excludes debris

Twin Bearing
For tolerance of misalignment and smoothest motion

Double Row Bearing
For tolerance of debris and highest radial load capacity

Lubricator (optional)
For friction-free lubrication (alternative to Cap Seal)



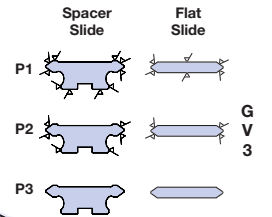
SLIMLINE CARRIAGE

For compact system height, lower cost and lower loads

Cap Wiper (optional)
Lubricates system & excludes debris

Slimline Bearing
For reduced system height, lowest cost and lower load capacity

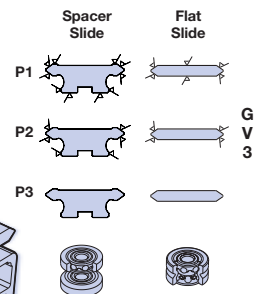
Slimline Lubricator (optional)
For friction-free lubrication (alternative to Cap Wiper)



REMOVABLE CARRIAGE

For direct disengagement of Carriage from Slide

Compact Lubricator (optional)

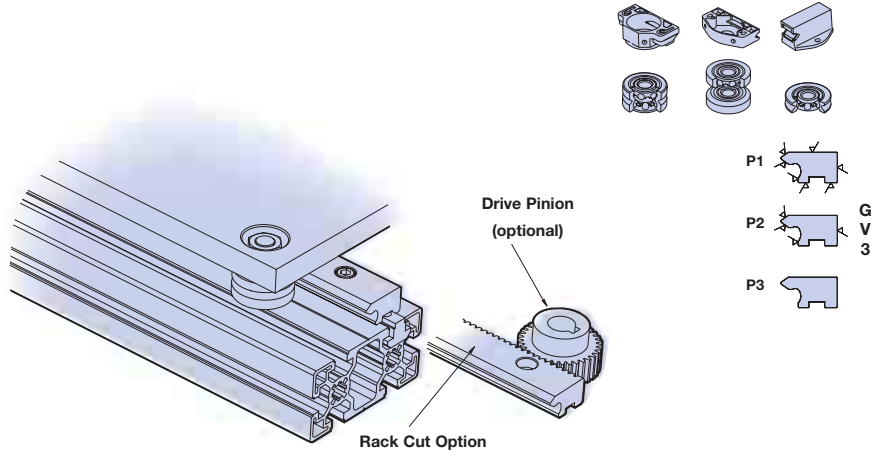


CARRIAGE TYPES

SINGLE EDGE

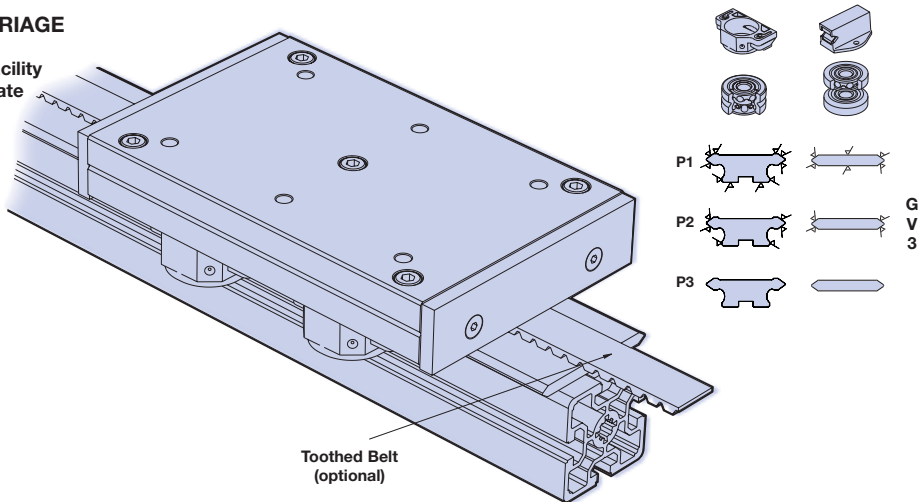
SLIDE CARRIAGE

(customer to construct)
For wide system stability,
centre space for drive
facility and increased
moment load capacity



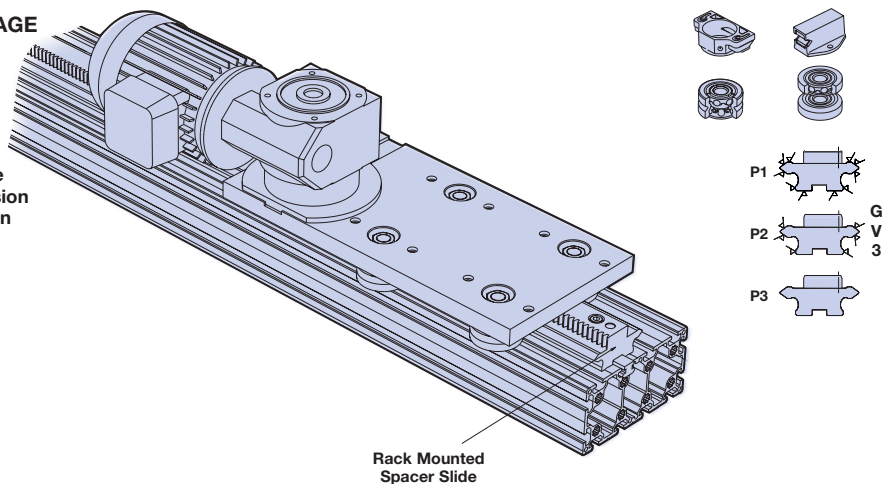
BELT DRIVEN CARRIAGE

Complete with belt
tension adjustment facility
and removable top plate
to aid customising.
For low cost drive
facility with high
speed capability.

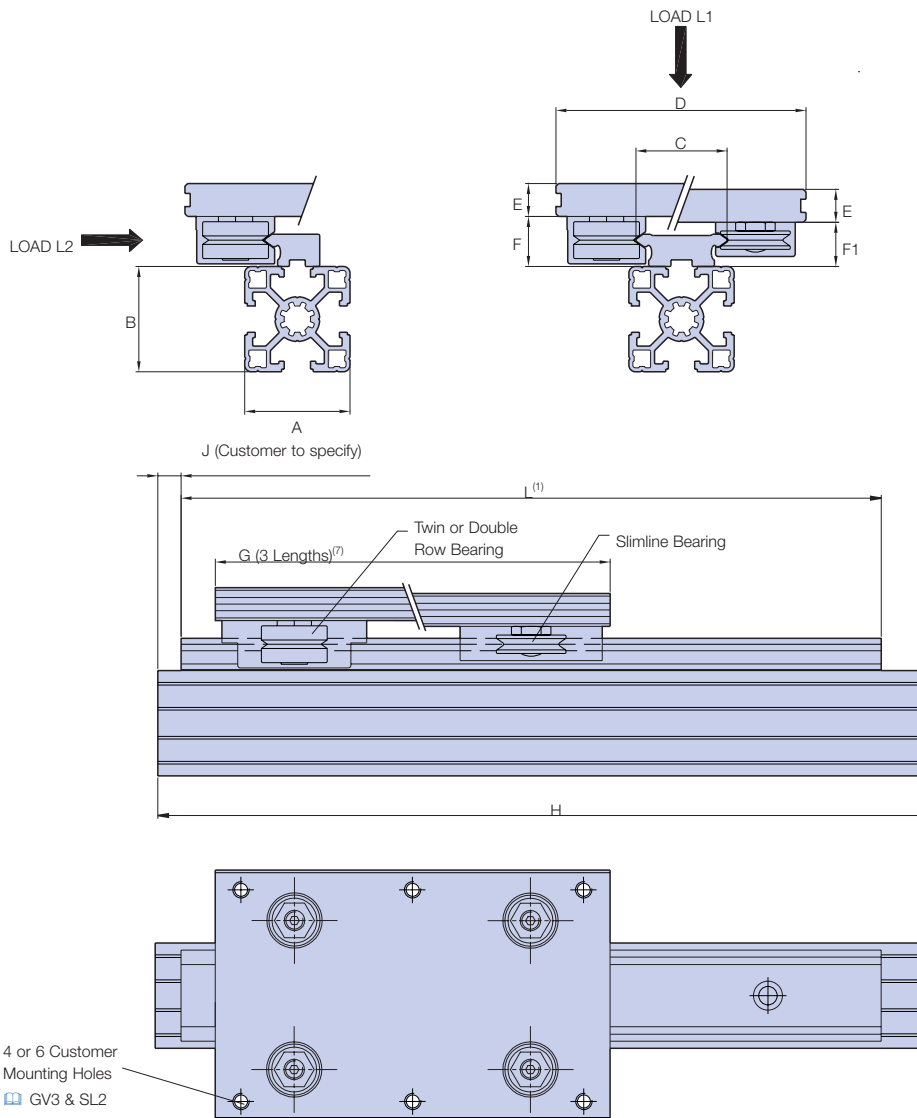


RACK DRIVEN CARRIAGE

Complete with Pinion,
Drive Flange with
micro-adjustment facility,
and Gearbox.
(AC Motor and Speed
Controller, optional)
A complete drive package
capable of high transmission
forces and good resolution
over long lengths



SPACER SLIDES WITH MCS PROFILES











Notes:

- (1) Slide lengths are available to customers' requirements up to 3956mm. Unlimited lengths can be achieved by butting.
- (2) Hepco Rack Driven Carriage not available but customers' may construct their own using GV3 Pinion **GV3** **P45**.
- (3) Carriage Plate to be constructed by customer.
- (4) Rack Driven Carriage is offset in relation to centre of slide. Length and configuration is to customers requirements **GV3** **P49**.
- (5) All types of carriage with the exception of some sizes of Rack and Belt driven carriages (see table) are available to suit all sizes of double edge GV3 spacer slides.
- (6) NM76 & NL76 spacer slides can only be attached to the two centre most positions of the 160mm wide face of the 80 x 160 profile.
- (7) Cap seals/cap wipers are not available for the shortest length carriages. Belt Driven Carriages are available in 2 lengths only **GV3** **P46-47**.

PROFILES WITH LINEAR GUIDES

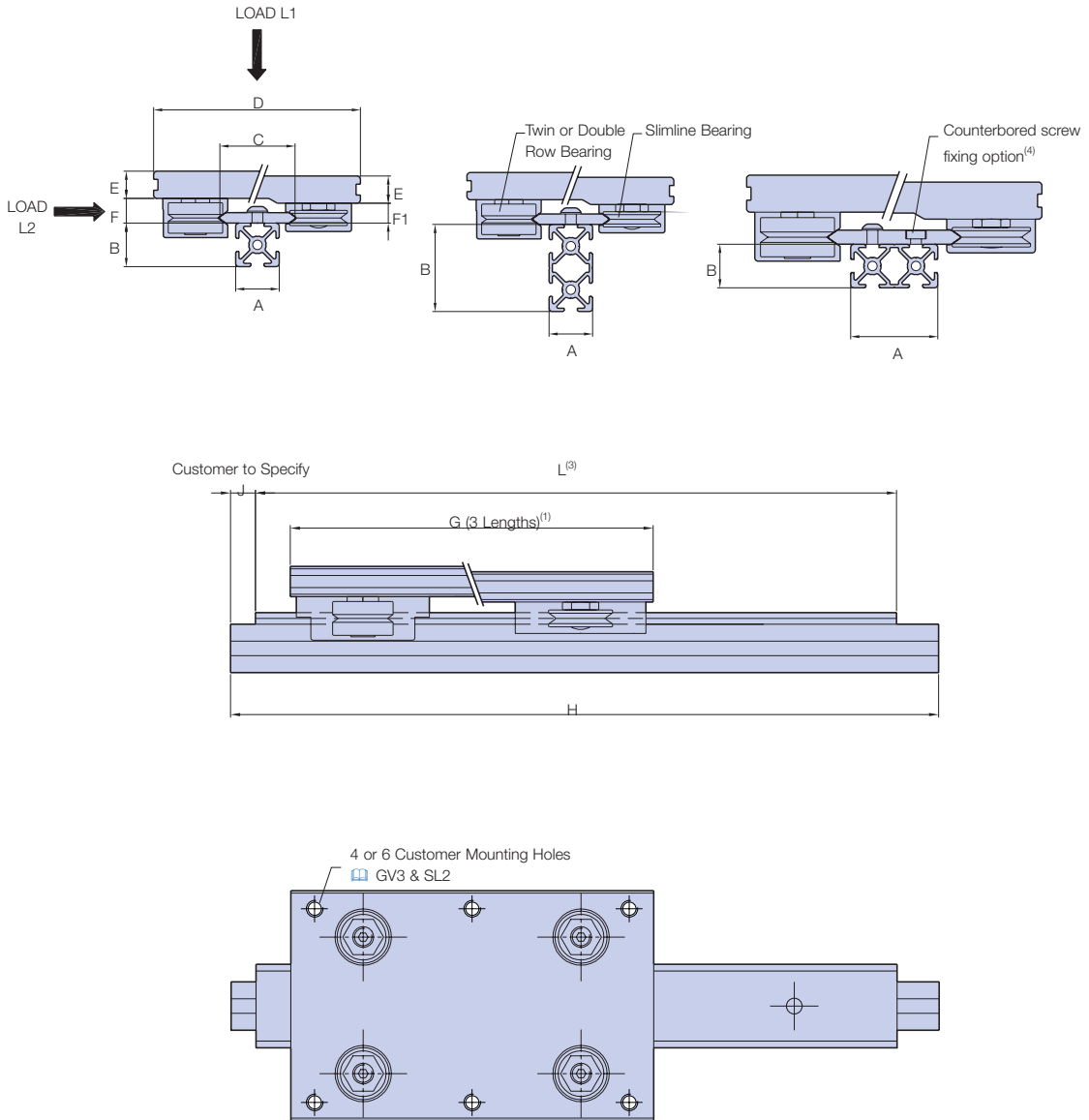
COMPATIBILITY TABLE
SPACER SLIDES WITH
MCS PROFILES

		SLIDE PART NUMBER					(5) RACK DRIVE CARRIAGE AVAILABILITY										LOAD (C) LUBRICATED (NEWTONS)								
		GV3 	GV3 	GV3 	SL2 	C	(5) BELT DRIVE CARRIAGE AVAILABILITY																		
A	B	C	C				D	E	-F	-F1	G ⁽⁷⁾			L1	L2	L1	L2	L1	L2						
20	20	NV	20				64	10	15	14	65	100	140	760	1200	500	400	400	480						
	20		NV	20	R		(2)	(2)	15	-	(2)														
	40	20	NV	28			72	11	15	14	75	125	175												
						NVE	(3)	(3)	15	14	(3)														
30	30	NV	28				72	11	15	14	75	125	175	760	1200	500	400	400	480						
			NV	28	R		(2)	(2)	15	-	(2)														
						NVE	(3)	(3)	15	14	(3)														
		30	NS	25			80	11.5	19	17	80	135	180	1600	3000	1280	1200	940	1150						
				NS	25	R		(2)	(2)	19	-	(2)													
		30	60				SSNS	25	80	11.5	19	-	80	130	180	1600	3000	960	960						
		30	90					✓	95	12.5	19	17	100	150	200	1600	3000	1280	1200	940	1150				
			NS	35			(2)	(2)	19	-	(2)														
						NSE	(3)	(3)	19	17	(3)				1600	3000	1280	1200	940	1150					
							✓	116	14.5	24	21	125	180	225	3600	6000	3200	2800	2000	2400					
			NM	44			(4)	18	24	-	(4)														
							✓	116	14.5	24	-	125	175	225	3600	6000	3000	3000							
						SSNM	44	116	14.5	24	-	125	175	225	3600	6000	3000	3000							
						NME	(3)	(3)	24	21	(3)				3600	6000	3200	2800	2000	2400					
							(3)	(3)	24	21	(3)				3600	6000	3200	2800	2000	2400					
40	40	NV	28				72	11	15	14	75	125	175	760	1200	500	400	400	480						
			NV	28	R		(2)	(2)	15	-	(2)														
							NS	25				80	135	180	1600	3000	1280	1200	940	1150					
				NS	25	R		(2)	(2)	19	-	(2)													
								SSNS	25	80	11.5	19	-	80	130	180	1600	3000	960	960					
				NS	35			✓	95	12.5	19	17	100	150	200										
								(2)	(2)	19	-	(2)													
				NS	35	R		✓	112	14	19	17	110	160	220	1600	3000	1280	1200	940	1150				
								(2)	(2)	19	-	(2)													
							NSE	(3)	(3)	19	17	(3)													
							✓	116	14.5	24	21	125	180	225	3600	6000	3200	2800	2000	2400					
			NM	44			(4)	18	24	-	(4)														
							✓	116	14.5	24	-	125	175	225	3600	6000	3000	3000							
						SSNM	44	116	14.5	24	-	125	175	225	3600	6000	3000	3000							
			NM	60			✓	135	17	24	21	150	200	280											
							(4)	18	24	-	(4)														
							✓	135	17	24	21	150	200	280	3600	6000	3200	2800	2000	2400					
						NME	(3)	(3)	24	21	(3)				3600	6000	3200	2800	2000	2400					
						NLE	(3)	(3)	38.6	33.4	(3)				10000	10000	7200	6400	4240	5200					
160	80	NM	76 ⁽⁸⁾				✓	150	18	24	21	170	240	340	3600	6000	3200	2800	2000	2400					
				NM	76	R ⁽⁸⁾		(4)	18	24	-	(4)													
				NL	76 ⁽⁸⁾				185	20	38.6	33.4	200	300	400	10000	10000	7200	6400	4240	5200				
					NL	76	R ⁽⁸⁾		(4)	20	38.6	-	(4)												
							✓	185	20	38.6	-	200	300	400	8000	10000	6000	6000							
						SSNL	76 ⁽⁸⁾	185	20	38.6	-	200	300	400	8000	10000	6000	6000							
45	45	NV	28				72	11	15	14	75	125	175	760	1200	500	400	400	480						
			NV	28	R		(2)	(2)	15	-	(2)														
							NS	25				80	135	180	1600	3000	1280	1200	940	1150					
				NS	25	R		(2)	(2)	19	-	(2)													
								SSNS	25	80	11.5	19	-	80	130	180	1600	3000	960	960					
				NS	35			✓	95	12.5	19	17	100	150	200										
								(2)	(2)	19	-	(2)													
				NS	35	R		✓	112	14	19	17	110	160	220	1600	3000	1280	1200	940	1150				
								(2)	(2)	19	-	(2)													
							NSE	(3)	(3)	19	17	(3)													
							✓	116	14.5	24	21	125	180	225	3600	6000	3200	2800	2000	2400					
							(4)	18	24	-	(4)														
							✓	116	14.5	24	-	125	175	225	3600	6000	3000	3000							
						SSNM	44	116	14.5	24	-	125	175	225	3600	6000	3000	3000							
			NM	60			✓	135	17	24	21	150	200	280											
							(4)	18	24	-	(4)														
							✓	135	17	24	21	150	200	280	3600	6000	3200	2800	2000	2400					
						NME	(3)	(3)	24	21	(3)				3600	6000	3200	2800	2000	2400					
						NLE	(3)	(3)	38.6	33.4	(3)				10000	10000	7200	6400	4240	5200					
60	45	NM	76				✓	150	18	24	21	170	240	340	3600	6000	3200	2800	2000	2400					
				NM	76	R		(4)	18	24	-	(4)													
				NL	76				185	20	38.6	33.4	200	300	400	10000	10000	7200	6400	4240	5200				
60	60			NL	76	R		(4)	20	38.6	-	(4)													
								✓	185	20	38.6	-	200	300	400	8000	10000	6000	6000						
						SSNL	76	185	20	38.6	-	200	300	400	8000	10000	6000	6000							

Slide hole centres and fixing screw sizes and types may vary from those specified in the GV3 & SL2 catalogues. There may also be additional holes.

PROFILES WITH LINEAR GUIDES

FLAT SLIDES WITH MCS PROFILES



Notes:

(1) Cap seals/cap wipers are not available for the shortest length carriages. Belt Driven Carriages are available in 2 lengths only **GV3** **P46-47**.


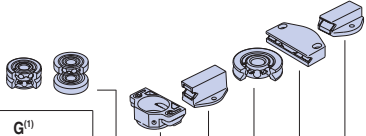
(2) Standard, Slimline and Removable Carriages are available to suit all sizes of GV3 Flat slides. Some sizes of slide are also available to suit Belt Driven Carriages (see table). On special application, Flat Slides can be fitted with mounted Rack and supplied with Rack Driven Carriages.

(3) Slide lengths are available to customers requirements up to 3956mm. Unlimited lengths can be achieved by butting.

(4) The counterbored screw fixing option with low head socket cap screws DIN 6912 will be supplied for double row slide fixing when used with slimline carriage.

PROFILES WITH LINEAR GUIDES

**COMPATIBILITY TABLE
FLAT SLIDES WITH MCS
PROFILES**

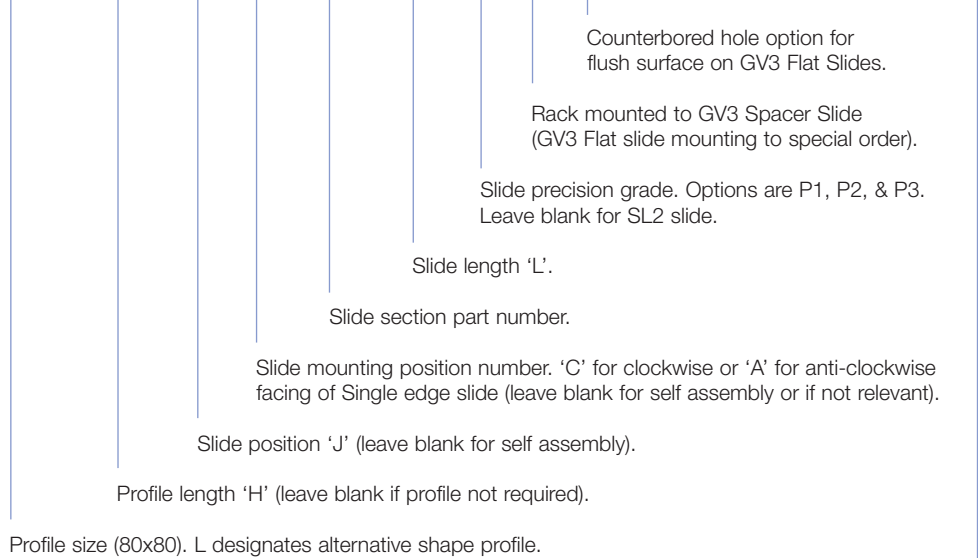
		SLIDE PART NUMBER																LOAD (C) LUBRICATED (NEWTONS)							
		GV3 ⁽²⁾		SL2														L1		L2		L1		L2	
		A	B	C	C													D	E	-F	-F1	G ⁽¹⁾			
20 20	20 40	V	28		72	11	9	7.9	75	125	175	✓	P3	P3	✓	P3	✓		760	1200	500	400	400	480	
		S	35		95	12.5	11.4	9.2	100	150	200	✓	✓	✓	✓	✓	✓	✓	1600	3000	1280	1200	940	1150	
				SSS	35	95	12.5	11.4	-	100	150	200	✓	✓	✓	-	-	-	1600	3000	960	960	-	-	
30 30 30	30 60 90	M	44		116	14.5	14.6	11.4	125	180	225	✓	✓	P3	✓	✓	✓	✓	3600	6000	3280	2800	800	800	
				SSM	44	116	14.5	14.6	-	125	175	225	✓	✓	X	-	-	-	3600	6000	3000	3000	-	-	
		S	50		112	14	11.4	9.2	110	160	220	✓	✓	✓	✓	✓	✓	✓	1600	3000	1280	1200	940	1150	
				SSS	50	112	14	11.4	-	110	160	220	✓	✓	✓	-	-	-	1600	3000	960	960	-	-	
60	30	M	76		150	18	14.6	11.4	170	240	340	✓	✓	✓	✓	✓	✓	3600	6000	3200	2800	2000	2400		
				SSM	76	150	18	14.6	-	170	240	340	✓	✓	✓	-	-	-	3600	6000	3000	3000	-	-	
90	30	L	120		240	24	23.6	18.9	240	360	480	P3	P3	P3	P3	P3	P3	10000	10000	7200	6400	4240	5200		
40	20	S	50		112	14	11.4	9.2	110	160	220	✓	✓	P3	✓	P3	✓	✓	1600	3000	1280	1200	940	1150	
				SSS	50	112	14	11.4	-	110	160	220	✓	✓	X	-	-	-	1600	3000	960	960	-	-	
40 40	40 80	S	50		112	14	11.4	9.2	110	160	220	✓	✓	P3	✓	P3	✓	✓	1600	3000	1280	1200	940	1150	
				SSS	50	112	14	11.4	-	110	160	220	✓	✓	X	-	-	-	1600	3000	960	960	-	-	
		M	60		135	17	14.6	11.4	150	200	280	✓	✓	✓	✓	✓	✓	✓	3600	6000	3200	2800	2000	2400	
				SSM	60	135	17	14.6	-	150	200	280	✓	✓	✓	-	-	-	3600	6000	3000	3000	-	-	
		M	76		150	18	14.6	11.4	170	240	340	✓	✓	✓	✓	✓	✓	✓	3600	6000	3200	2800	2000	2400	
				SSM	76	150	18	14.6	-	170	240	340	✓	✓	✓	-	-	-	3600	6000	3000	3000	-	-	
		L	76		185	20	23.6	18.9	200	300	400	✓	✓	✓	✓	✓	✓	✓	10000	10000	7200	6400	4240	5200	
		SSL	76	185	20	23.6	-	200	300	400	✓	✓	✓	-	-	-	8000	10000	6000	6000	-	-			
45 45 45	45 60 90	M	60		135	17	14.6	11.4	150	200	280	✓	✓	✓	✓	✓	✓	✓	3600	6000	3200	2800	2000	2400	
				SSM	60	135	17	14.6	-	150	200	280	✓	✓	✓	-	-	-	3600	6000	3000	3000	-	-	
		M	76		150	18	14.6	11.4	170	240	340	✓	✓	✓	✓	✓	✓	✓	3600	6000	3200	2800	2000	2400	
				SSM	76	150	18	14.6	-	170	240	340	✓	✓	✓	-	-	-	3600	6000	3000	3000	-	-	
		L	76		185	20	23.6	18.9	200	300	400	✓	✓	✓	✓	✓	✓	✓	10000	10000	7200	6400	4240	5200	
		SSL	76	185	20	23.6	-	200	300	400	✓	✓	✓	-	-	-	8000	10000	6000	6000	-	-			
60 60	45 60	M	76		150	18	14.6	11.4	170	240	340	✓	✓	✓	✓	✓	✓	✓	3600	6000	3200	2800	2000	2400	
				SSM	76	150	18	14.6	-	170	240	340	✓	✓	✓	-	-	-	3600	6000	3000	3000	-	-	
		L	76		185	20	23.6	18.9	200	300	400	P3	P3	P3	P3	P3	P3	10000	10000	7200	6400	4240	5200		
				SSL	76	185	20	23.6	-	200	300	400	✓	✓	✓	-	-	-	8000	10000	6000	6000	-	-	
80 80 80 90 90	40 80 160 45 90	L	120		240	24	23.6	18.9	240	360	480	P3	P3	P3	P3	P3	P3	10000	10000	7200	6400	4240	5200		

Slide hole centres and fixing screw sizes and types may vary from those specified in the GV3 & SL2 catalogues. There may also be additional and redundant holes.

PROFILES WITH LINEAR GUIDES

ORDERING DETAILS

8080(L) - H2200 - J50 - 2C / NM44 - L806 - P2 - (R) - (C) / 1X - AU4434 - L180 - CS - DR



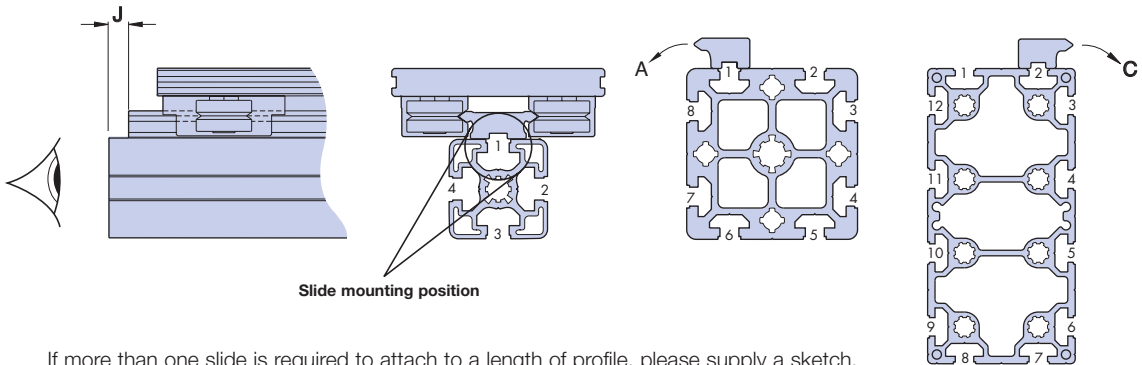
1x - AU4434 - L180 - CS - DR = Carriage reference (example only). Please specify from GV3 or SL2 catalogue according to following procedure:

Carriage identification (GV3) :

1. Refer to tables on relevant Carriage page of GV3 catalogue (Standard Carriage, Removable Carriage, Slimline Carriage, Belt Driven Carriage or Rack Driven Carriage). N.B The Single Edge Slide Carriage is for construction by the customer, therefore individual Bearings and Lubrication Devices etc. must be selected from the GV3 catalogue.
2. Read off the basic Carriage part number in column 1, adjacent to the chosen slide part number in column 2.
3. Determine the full Carriage part number to include the options required, by following the Ordering Details below the table.

Carriage identification (SL2) :

1. Refer to the table on Assembled Systems page 9 of the SL2 catalogue.
2. Identify the basic Carriage part number in column 1 according to the chosen slide part number. The slide part number is the last five letters / numbers of the Carriage part number.
3. Determine the full Carriage part number to include the options required, by following the Ordering Details below the table.



If more than one slide is required to attach to a length of profile, please supply a sketch.