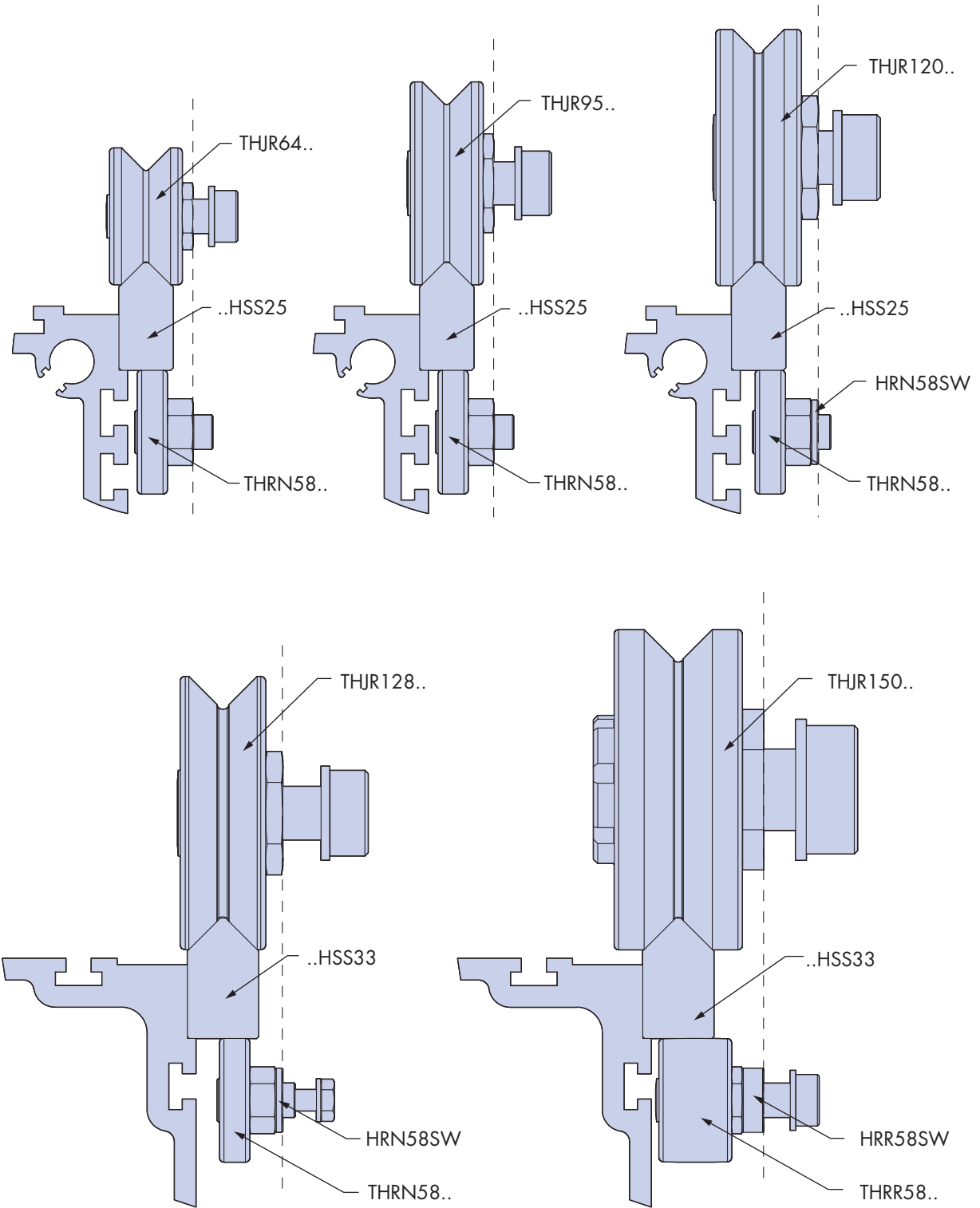




## No. 3 HDS2 Narrow Track Rollers

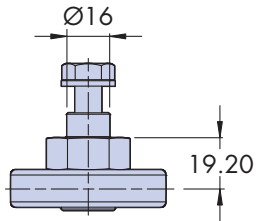
The diagrams below show the use of the narrow track roller to captivate a system when used with the different sized bearings, please note that the THJR150.. bearing requires the use of the track roller THRR58..



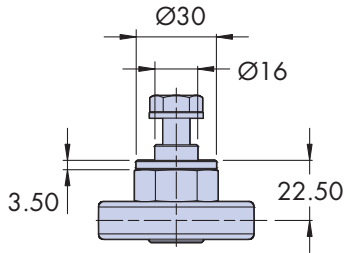
Diagrams show through hole type THJR arrangements, the same configurations would apply for BHJR versions, with the exception of the BHJR150 and BHRR58 combination as explained in the note on [1](#).

# No. 3 HDS2 Narrow Track Rollers

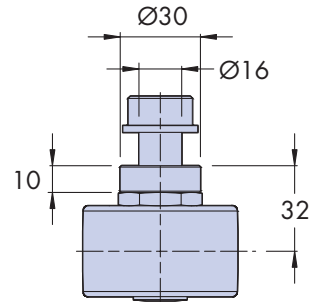
**THRN58C/ENS**



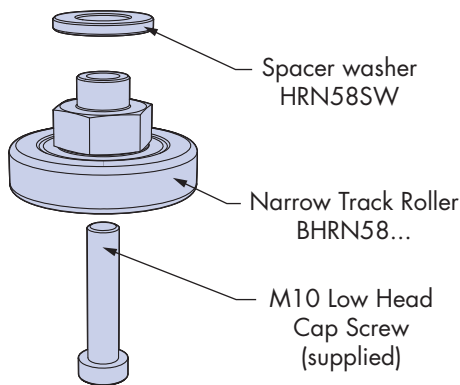
**THRN58C/ENS + HRN58SW**



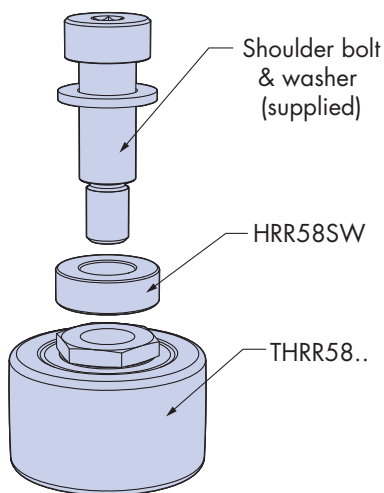
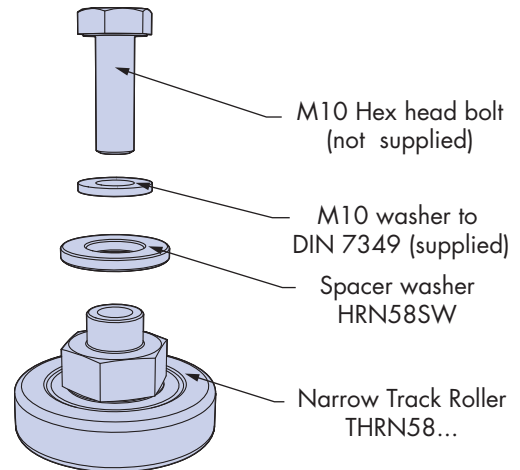
**THRR58C/ENS.. + HRR58SW**



**Blind Hole Narrow Track Roller  
BHRN58C/ENS with Spacer Washer  
HRN58SW**



**Through Hole Narrow Track Roller  
THRN58C/ENS with Spacer Washer  
HRN58SW**



**Through Hole Track Roller  
THRR58C/ENS with Spacer Washer  
HRR58SW**

**HepcoMotion®**, Lower Moor Business Park,  
Tiverton Way, Tiverton, Devon, England EX16 6TG  
**Tel: +44 (0) 1884 257000**  
**Fax: +44 (0) 1884 243500**  
**E-mail: sales@hepcotion.com**